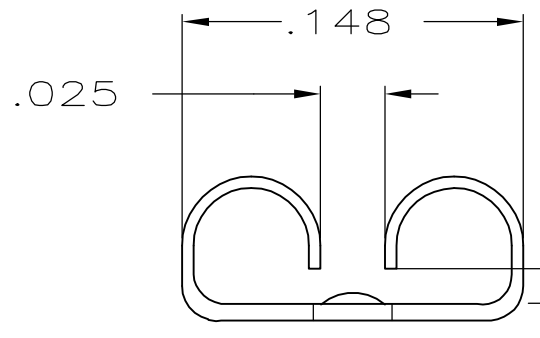
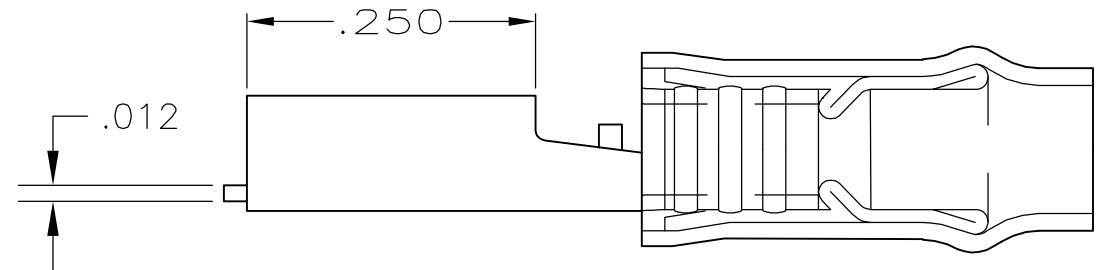
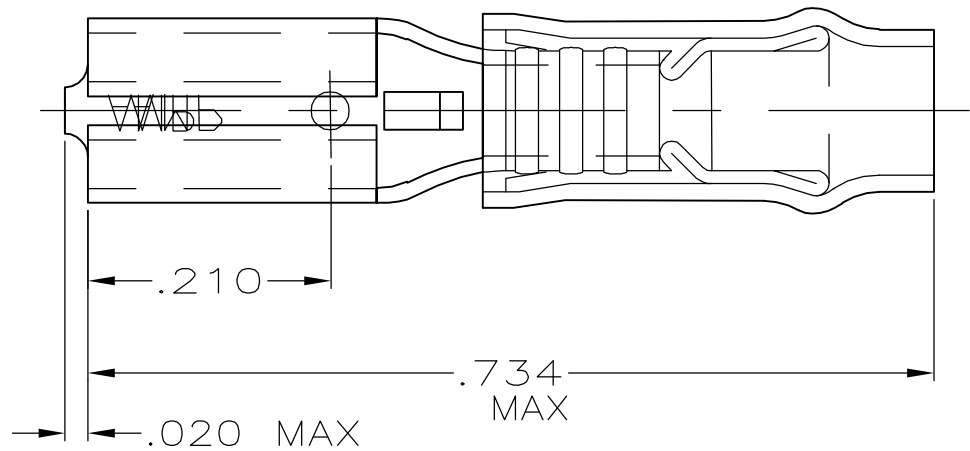


THIS DRAWING IS UNPUBLISHED. RELEASED FOR PUBLICATION
 © COPYRIGHT - BY TYCO ELECTRONICS CORPORATION. ALL RIGHTS RESERVED.

LOC	DIST	REVISIONS					
		P	LTR	DESCRIPTION	DATE	DWN	APVD
G	14		N1	REV PER ECR 06-001832	24APR06	JR	TM

AMP
WIRE RANGE

22-18 AWG
STRANDED



FITS "110" SERIES FASTON TAB

1. WIRE INSULATION DIA .100 MAX

2. FITS TAB THK .020±.001

△3 SUPERSEDED BY 61060-1

△4 SUPERSEDED BY 8-61060-1

△5 MATERIAL & FINISH:
 BODY - BRASS - PRE TIN PLATE
 SLEEVE - NYLON, COLOR-SEE TABLE

INSULATION COLOR	QTY	PACKAGE TYPE	PART NO
△4 TRANSPARENT	50	LOOSE PIECE, BAG	8-61060-5
△4 TRANSPARENT	5	LOOSE PIECE, BLS	8-61060-4
TRANSPARENT	100	LOOSE PIECE, BOX	8-61060-1
△3 BLACK	-	LOOSE PIECE	61060-3
TRANSPARENT	5000	ON TAPE	61060-2
TRANSPARENT	1000	LOOSE PIECE	61060-1

AMP INCORPORATED
CUSTOMER SERVICE SYSTEMS

FOR ADDITIONAL PRODUCT INFORMATION OR COPIES OF DRAWINGS AND TECHNICAL DOCUMENTS
 PRODUCT INFORMATION CENTER
 1-800-522-6752

FOR APPLICATION TOOLING INFORMATION
 TOOLING ASSISTANCE CENTER
 1-800-722-1111

FOR ORDER ENTRY
 1-800-526-5142

MAX RECOMMENDED OPERATING TEMPERATURE:
 105°C [221°F]

VOLTAGE RATING:
 300V MAX

CIRCULAR MIL AREA:
 0.26-1.65mm² [509-3260]
 STRANDED

THIS DRAWING IS A CONTROLLED DOCUMENT.

DIMENSIONS: INCHES

TOLERANCES UNLESS OTHERWISE SPECIFIED:

0 PLC	± -
1 PLC	± -
2 PLC	± .015
3 PLC	± -
4 PLC	± -
ANGLES	± -
FINISH	△5

MATERIAL: △5

DWN L OLMEDA 13NOV95
 CHK M ELLIS 13NOV95
 APVD B BARE 13NOV95

tyco Electronics Tyco Electronics Corporation
 Harrisburg, Pa 17105-3608

RECEPTACLE, 110 SERIES,
 FASTON, PIDG,
 WIRE SIZE: 22-18

SIZE: A3 CAGE CODE: 00779 DRAWING NO: C-61060 RESTRICTED TO: -

WEIGHT: -

CUSTOMER DRAWING SCALE: 1:1 SHEET: 1 OF 1 REV: N1